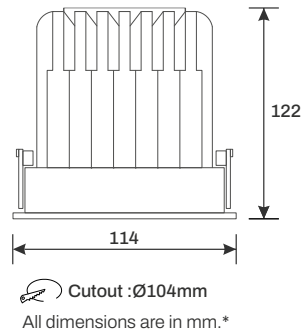


AVIO FX DL

Product & Installation Details



Product Details

System Wattage
45W

Lumen Output
4500lm

Efficacy
100lm/W

CCT [K]
3000 | 4000 | 6500

Beam Angle
24° / 36° / 60°

Driver
1.05A | 1.2A

General Specification

Product Preference

Environment
Indoor

Installation
Ceiling Recessed

Construction & Materials

Housing
Die Cast Aluminium

Body Finish
Black / White / Custom

Thermal Management

Heat Sink Material
Die Cast Aluminium

Cooling Technique
Passive Cooling

LED Technology

LED Life Time @L70/B10
>50000 Hrs.

Colour Rendering (CRI)
CRI80 as Standard

General Features

Operating Temperature
0°C-50°C

Ingress Protection (IP)
IP20

Electrical System

Driven With
Constant Current Driver

Input Voltage
220V-240V/50-60Hz

Driver
Non-Integrated

Controls

Standard
On / Off

Optional
Mains / Analog / Dali
Bluetooth

Optical System

Beam Direction
Fixed

Tilt
No

Swivel
No

Product Details:

Product Name	CCT	Beam Angle	Finish	Dimming Option
AVIO FX DL - 45W	CW	24° / 36° / 60°	Black / White	BLE/DALI/ANALOG
	NW	24° / 36° / 60°	Black / White	BLE/DALI/ANALOG
	WW	24° / 36° / 60°	Black / White	BLE/DALI/ANALOG



*Parameters may differ due to CCT or Driver current variation.

